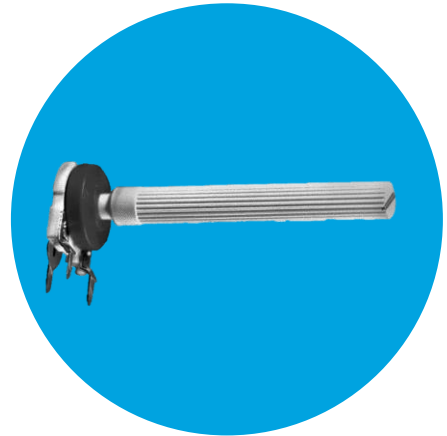


Cermet rotary potentiometers



Series 456

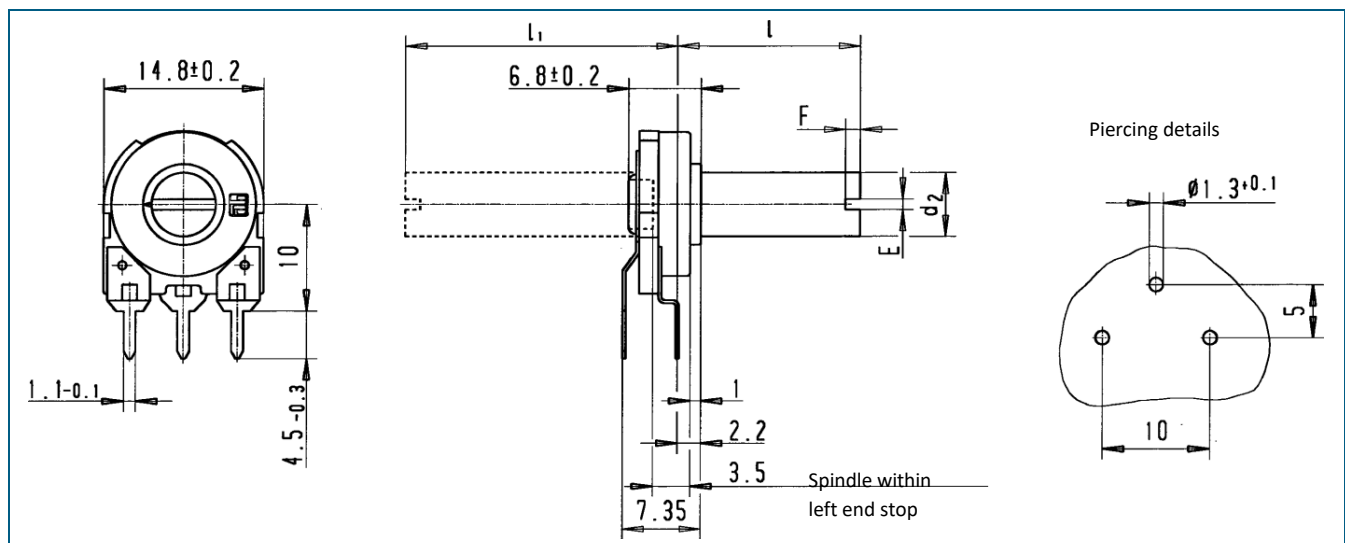
Type VC 456 / 30

Ordering code no.: 21 456

Basic design: encased knob, double metal wiper

Special versions

- Snap-in terminals
- Carbon contact wiper
- Cover with scale



Technical data

Rated resistance range	22 Ω - 4.7 M Ω	Temperature range	-40 °C to +90 °C
Resistance tolerance	$\pm 20\%$ *	Temperature coefficient	± 250 ppm / °C
Law (resistance taper)	lin *	Electrical travel	240° \pm 10°
Independent linearity	$\pm 10\%$ *	Mechanical travel	270° \pm 10°
Rated dissipation	1 W / 70 °C (1.5 W / 40 °C)	Operating torque	0.5 - 2.5 Ncm
Limiting element voltage	300 V	End stop torque	≥ 10 Ncm
Durability	10 000 cycles		

Spindles

- Plastic moulded, suitable for both sides
- Potentiometers also available without spindle

Further adjustment slots for operating spindles on request e. g. square or D-version

* other values and laws on request