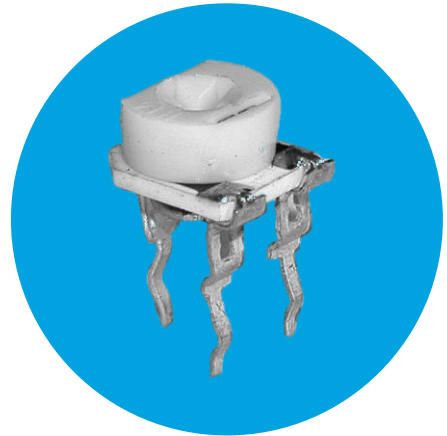
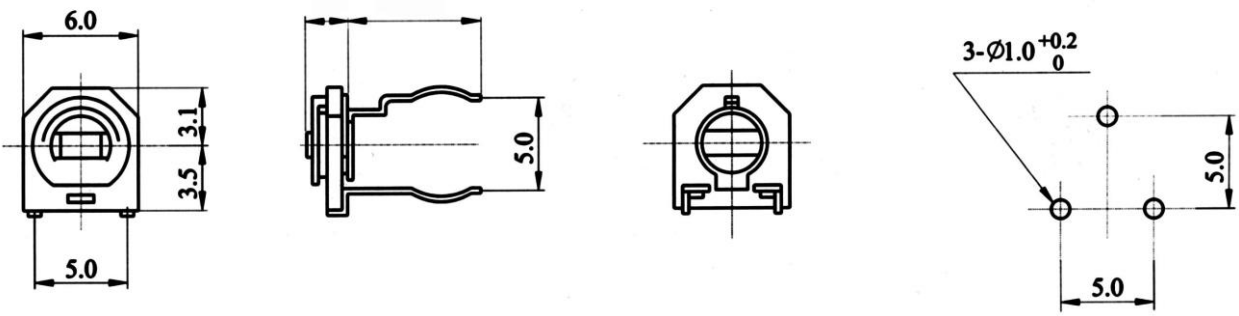


Cermet preset potentiometers



Series C 06
Type HAC 06 / SC065
Ordering code no.: 20 006
Basic design: with dust cover

			
Technical data			
Rated resistance range	200 Ω - 1 MΩ	Limiting element voltage	100 V
Resistance tolerance	± 20 %	Mechanical travel	240° ± 10°
Law (resistance taper)	lin	Operating torque	0.5 - 3.0 Ncm
Rated dissipation	0.3 W / 50 °C	End stop torque	5 Ncm
Durability	50 cycles		