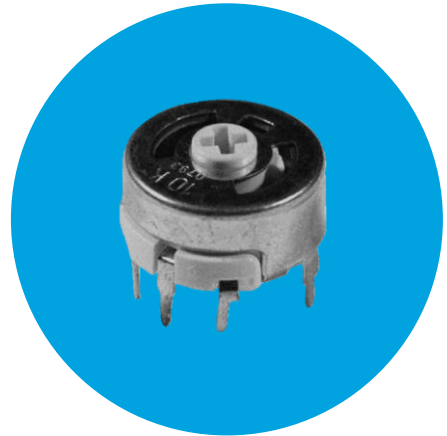


Wirewound preset potentiometers



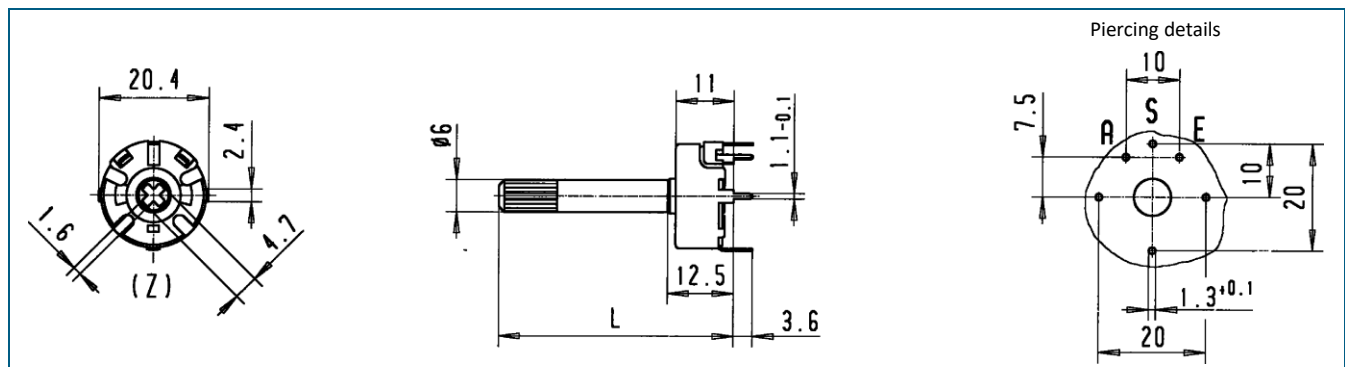
Series 115

Type 115 Q 7

Ordering code no.: 30 115

Basic design: metal encased

Special accessories: Plastic moulded spindles of different lengths and colours, suitable only with rotating arm 115 M



Technical data

Rated resistance range	1 Ω - 22 kΩ	Temperature coefficient	See table
Resistance tolerance	± 10 % (< 10 Ω ± 20 %) on request ± 5 % (for values) > 47 Ω	Resolution	Depends on resistance value (≥ 1.5 %, max 0.16 %)
Law (resistance taper)	lin	Electrical travel	240° ± 15°
Independent linearity	± 2 % (on request ± 1 %)	Mechanical travel	270° ± 10°
Rated dissipation	2 W / 40 °C (also available with 3 W)	Operating torque	1 - 4 Ncm
Isolation voltage	750 V ~	Endstop torque	46 Ncm
Temperature range	-40 °C to +90 °C	Durability	500 cycles
Tap	„Z“ at 50 % of total resistance		

Temperature coefficients

1 Ω - 22 Ω	22 Ω - 120 Ω	120 Ω - 3,3 kΩ	3,3 kΩ - 20 kΩ
+ 250 to 1 300 ppm / °C	+ 40 - 80 ppm / °C	+ 150 ppm / °C	± 10 ppm / °C