

Wirewound rotary

Series ABW 1

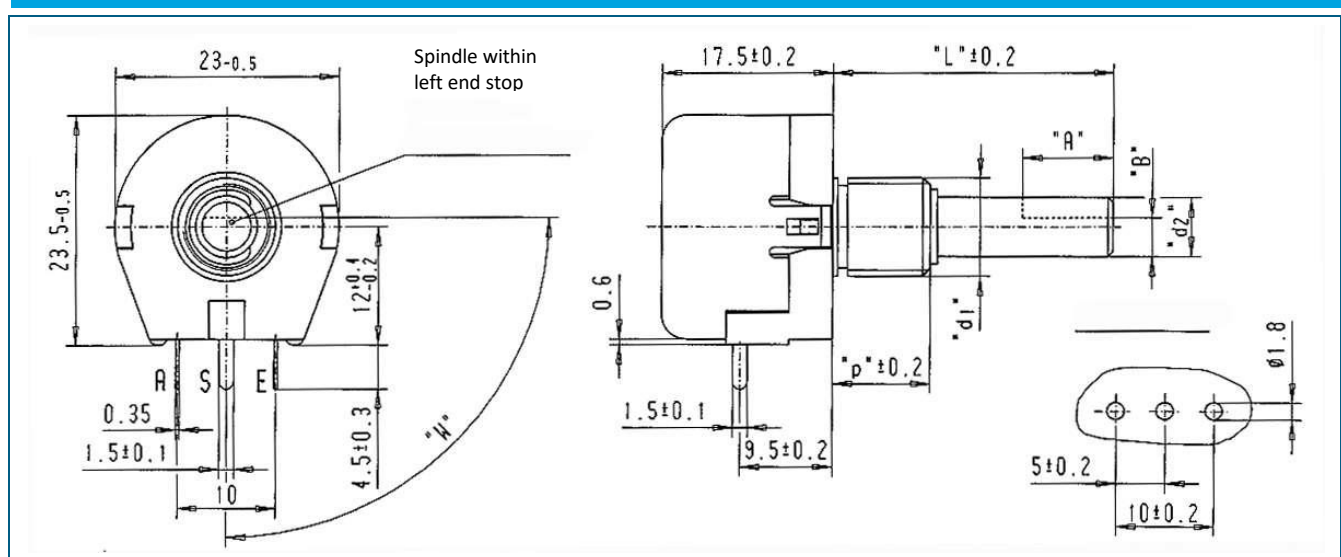
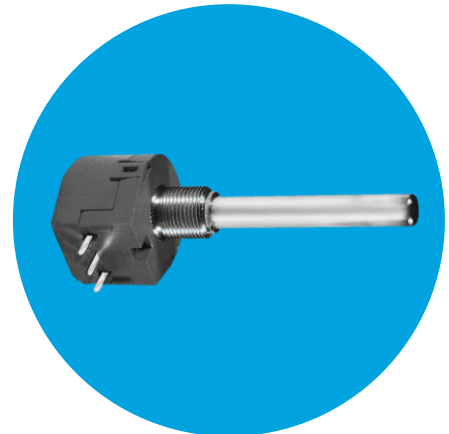
Type ABW 1 / P

Ordering code no.: 31 096

Basic design: encased, nominal width 23 mm, terminals for printed circuit board

Standard version with nut

Special accessories: washer or locating key



Technical data

Rated resistance range	5 Ω - 22 k Ω	Temperature range	-40 °C to +90 °C
Resistance tolerance	$\pm 10\%$ (< 10 Ω $\pm 20\%$) on request $\pm 5\%$	Insulation resistance	1 G Ω
Law (resistance taper)	lin (lg on request)	Electrical travel	265° $\pm 5^\circ$
Independent linearity	$\pm 2\%$ (on request $\pm 1\%$)	Mechanical travel	285° $\pm 5^\circ$ on request 270° $\pm 5^\circ$
Rated dissipation	1 W / 40 °C	Operating torque	0.8 - 3 Ncm
Limiting element voltage	300 V	Endstop torque	100 Ncm
Isolation voltage	1 kV ~	Durability	10 000 cycles

Spindles

- Metal or plastic moulded (see table)
- End of spindle according to customer specification (length, flat)

l (mm)	p (mm)	d ₂ (mm)	d ₁
standard 50	10, on request 5	6	M10 x 0,75