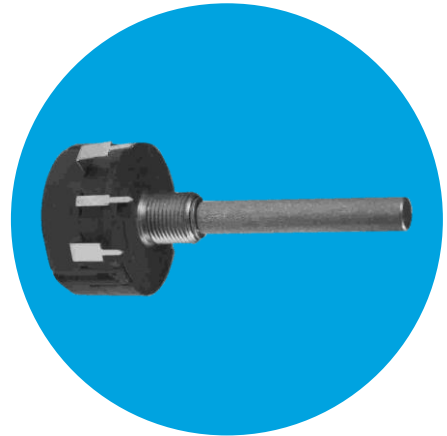


Wirewound rotary

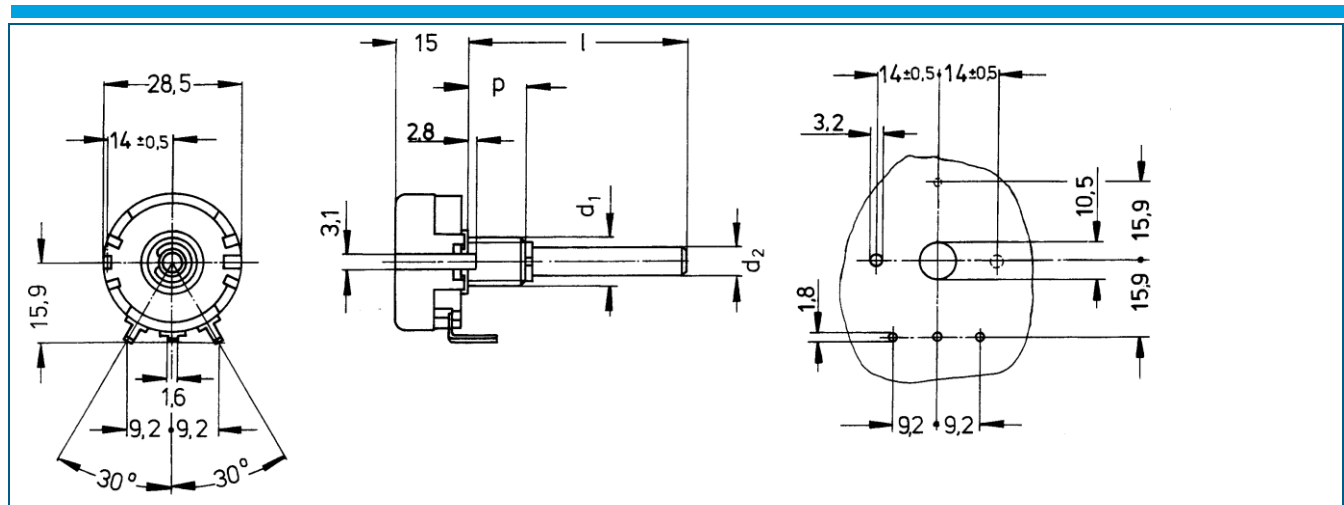


Series ABW 2

Type ABW 2 / N / PCV

Ordering code no.: 31 143

Basic design: encased, nominal width 28.5 mm, terminals printed circuit board



Technical data

Rated resistance range	5 Ω - 22 kΩ	Temperature range	-40 °C to +90 °C
Resistance tolerance	± 10 % (< 10 Ω ± 20 %) on request ± 5 % , ± 2 %	Temperature coefficient	See table
Law (resistance taper)	lin (lg on request)	Insulation resistance	1 GΩ
Independent linearity	± 2 % (on request ± 1 %)	Electrical travel	270° ± 5°
Rated dissipation	2 W / 40 °C	Mechanical travel	300° ± 5°
Limiting element voltage	300 V	Operating torque	0.7 - 2.5 Ncm
Isolation voltage	1 kV ~	End stop torque	100 Ncm
Durability	10 000 cycles		

Spindles

- Metal
- End of spindle according to customer specification (length, flat)

l (mm)	p (mm)	d ₂ (mm)	d ₁
standard 50	8	6	M10 x 0,75

Temperature coefficient and resolution

R _N	10 Ω	22 Ω	47 Ω	100 Ω	220 Ω	470 Ω	1 kΩ	2,2 kΩ	4,7 kΩ	10 kΩ	22 kΩ
TC-value ppm / °C	+ 400	+ 400	+ 400	+ 400	+ 40 - 80	+ 40 - 80	+ 40 - 80	+ 40 - 80	+ 40 - 80	+ 140	+ 140
Resolution %	1	0,68	0,59	0,41	0,35	0,29	0,3	0,2	0,12	0,17	0,12